

**LIMIT SWITCH BOX
SOLDO TYPE SY
for Ex**



The Soldo SY series hazardous location limit switch provides a compact design and low cost for both visual and remote electrical indication of rotary valve/actuator position. The heavy duty design and wide variety of options make the SY series the ideal multi-purpose limit switch for use in EEx d IIC applications. SOLDO has the flexibility and know how to offer an effective support whenever specific needs require development of customised solutions.

Features

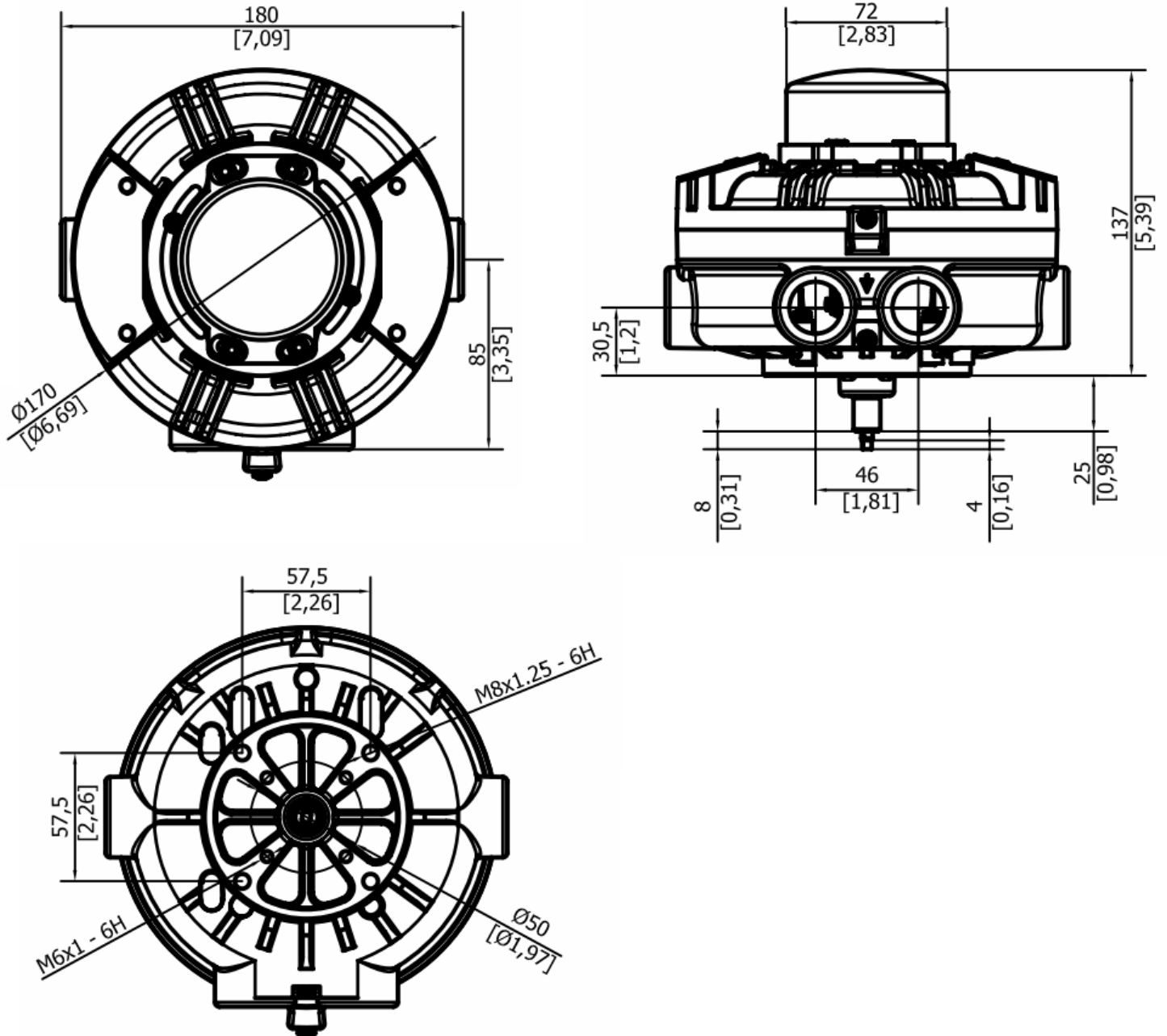
- housing available in a low copper aluminium with a highly corrosion resistive polyester powder coating, suitable for the toughest of environments
- operating temperature
 - 20°C + 60°C (T6)
 - 20°C + 80°C (T5)
 - 20°C + 105°C (T4)
 - ❄ Low temperature for ATEX execution up to - 55°C available on request
 - ❄ Low temperature for IECEx execution up to - 60°C available on request
- designed for use in according latest Atex and IEC norms
 - ⚠ II 2G Ex d IIC T6-T4
 - ⚠ II 2D Ex tD B21 T110/110/140°C
- **3D visual indicator** . large two-colors indicator allows to see real valve position both looking from top and from side of the valve
- up to **4 cable** entries (M20/M25)

Materials

- body and cover: cationic epoxy painted aluminium
- indicator dome: UV resistant and VO polycarbonate
- shaft: stainless steel
- fasteners: stainless steel

LIMIT SWITCH BOX SOLDO TYPE SY for Ex

Dimensions (mm)



LIMIT SWITCH BOX SOLDO TYPE SY for Ex

Standard options available

