

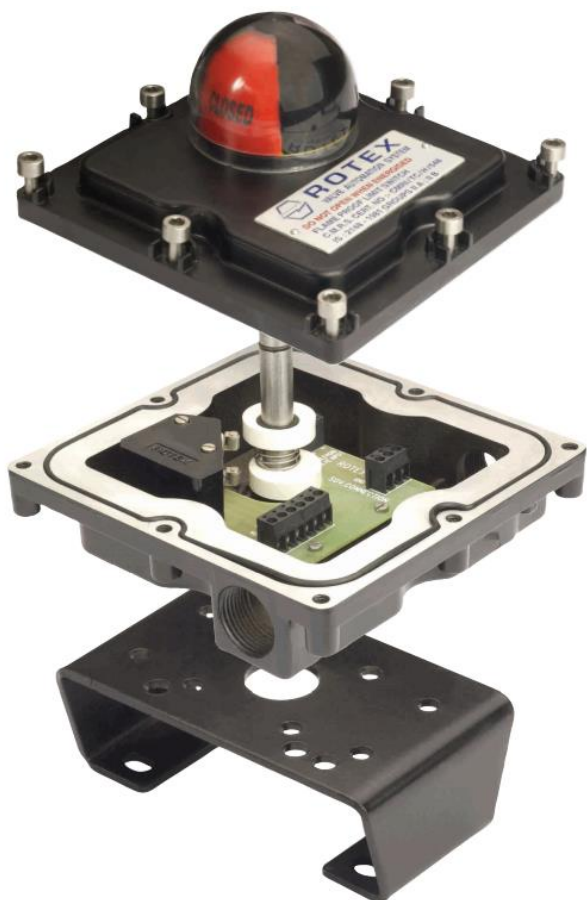
## LIMIT SWITCH BOX Type ROTEX DNLF Ex d IIC T6 IP67

### Features

- IP67 covered
- spherical position indicator
- fully adjustable spring loaded cams
- triple cable entry as standard
- aluminium diecast, powder coated
- cover: polycarbonate UV resistant
- ATEX design
- NAMUR mounting as standard

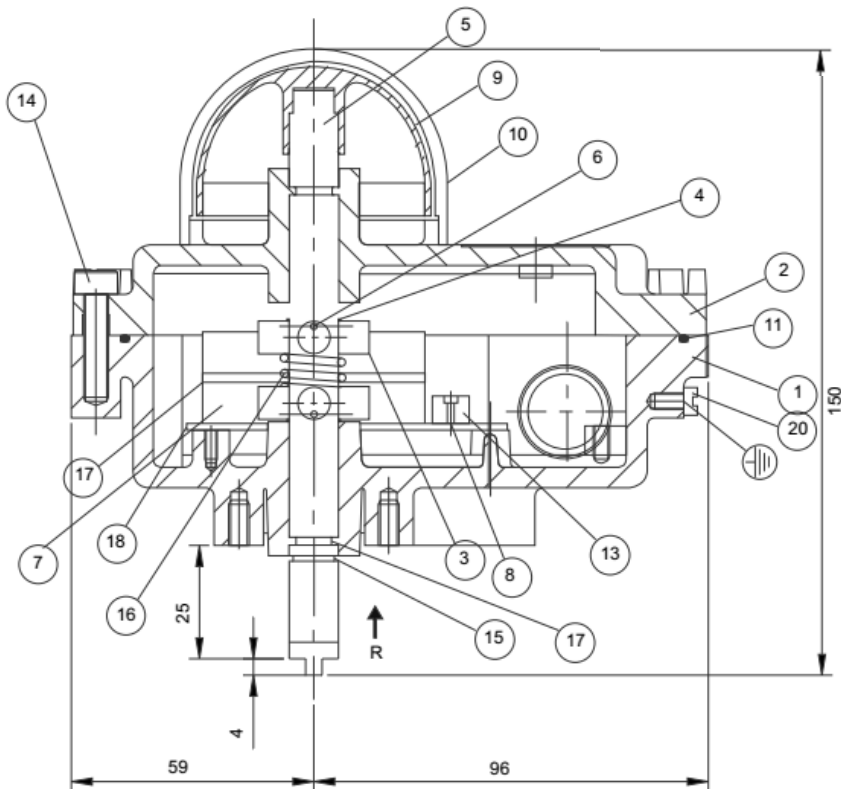
### Parametres

- 15A 250VAC; 0,6A 125VDC
- 3A 125.250 VAC
- NAMUR Eexia IIC
- NPN
- PNP
- 3 wire NO
- 3 wire NC



## LIMIT SWITCH BOX Type ROTEX DNLF Ex d IIC T6 IP67

### Components - specification

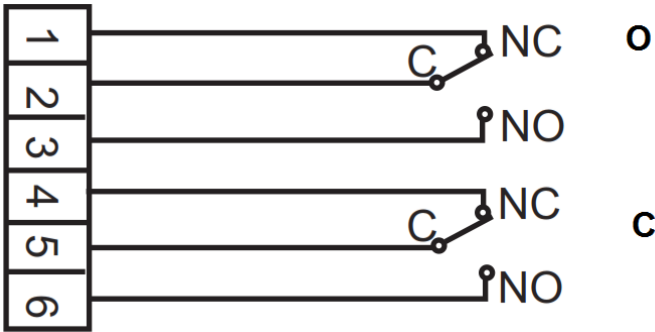


#	Description	Materials
1	Housing	Aluminium
2	Cover	Aluminium
3	Cam	PA6
4	Cam-lock	POM
5	Shaft	SS4 10
6	Spring dowel	SP. Steel
7	Microswitch (SPDT)	PA6
8	Connector strip - 6 way	PA6
9	Indicator	ABS
10	Indicator cover	Polycarbonate
11	Gasket	Neoprene
12	Screw	SS304
13	Screw	SS304
14	Screw	SS304
15	Circlip	S.P. Steel
16	Spring	SS302
17	Pad	PA6
18	O-Ring	Neoprene
19	Circuit diagram	-
20	Screw	SS304

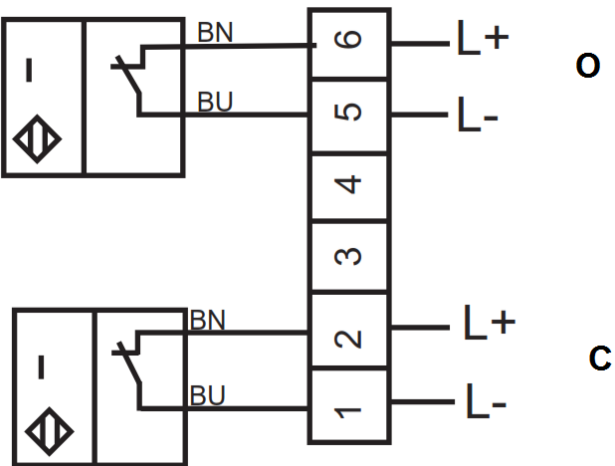
**LIMIT SWITCH BOX**  
 Type ROTEX DNLF  
 Ex d IIC T6 IP67

**Connections - diagrams**

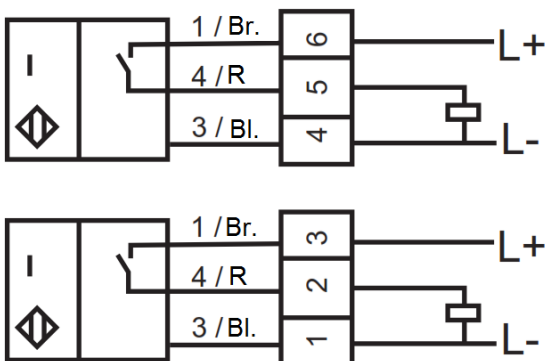
- with mechanical switches SPDT



- with inductive sensors NAMUR P+F SJ 3,5 . N/2-wire/



- with inductive sensors NAMUR P+F SJ 3,5 - E2 . N / 3-wire/



## LIMIT SWITCH BOX Type ROTEX DNLF Ex d IIC T6 IP67

### Dimensions (mm)

