

GEARBOX DECLUTCH OPERATOR Type MGD

Description

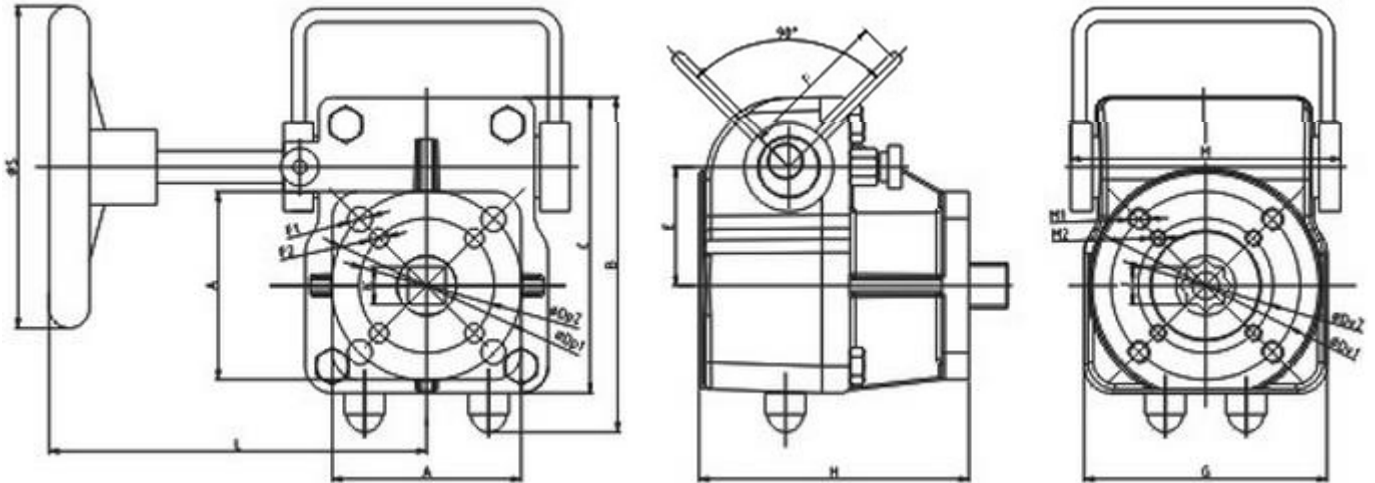
- simple and compact design
- aluminium body
- filled with special lubricant
- connections acc. to ISO5211
- waterproof acc. to IP65
- output torque range: 180-5500 N.m.
- 5 degree angle adjusting



No	Part	Material	Optional material
1	Handwheel	Carbon steel	
2	Shaft	Stainless steel	
3	Limit pin	Stainless steel	
4	Wrench retainer	Carbon steel	Paint
5	Cap	Alu alloy ZL104	
6	Worm	Carbon steel	
7	Worm gear	Ducitle Iron QT400-15	
8	Connecting Axle	Carbon steel	Zinc coating
9	Body	Alu alloy	
-	Eccentric guide	Carbon steel	Stainless steel
-	Screw	Stainless steel	



HANDWHEEL GEARBOX OPERATOR Type MGD



Type	Output Torque (Nm)	A	B	C	E	F	Dp1	F1	Dp2	F2	Dv1	M1	Dv2	M2	J&K
MGD050	300	70	125	110	44	54	70	8,5	50	6,5	70	M8	50	M6	11
															14
															17
MGD070	360	95	150	135	52,2	70	102	11	70	8,5	102	M10	70	M8	14
															17
															19
MGD102	810	115	185	160	65	70	125	13	102	11	125	M12	102	M10	22
															27
MGD140	1310	140	225	200	85	78	125	13	102	11	125	M12	102	M10	27
							140	17	102	11	140	M16	102	M10	36
MGD165	2800	165	268	243	105	106	140	17	-	-	140	M16	-	-	36
							165	21	-	-	165	M20	-	-	46
MGD254	5500	275	330	283	130	115	165	21	254	17	165	M20	254	M16	46

Type	G	H	L	M	S	Weight (kg)
MGD050	90	100	143	104	200	2,3
MGD070	125	118	177	124	200	3,5
MGD102	140	124	190	140	300	5,6
MGD140	185	162	325	180	400	12,5
MGD165	230	181	395	214	600	22,5
MGD254	265	205	400	230	700	26