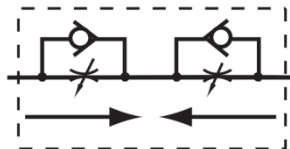
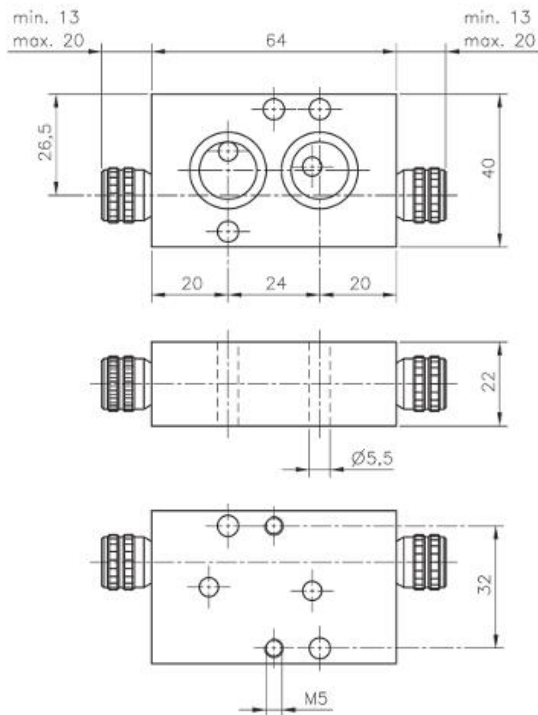


SOLENOID VALVE Additional equipment

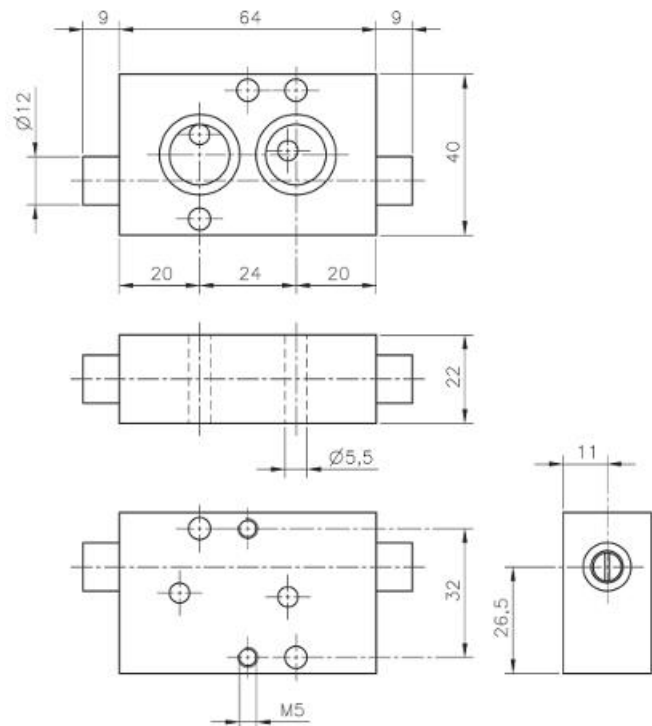
3/2 way



DRN 3 601, DRN 3 611



DRN 3 601

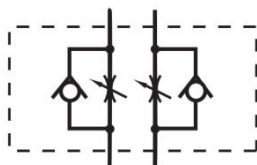
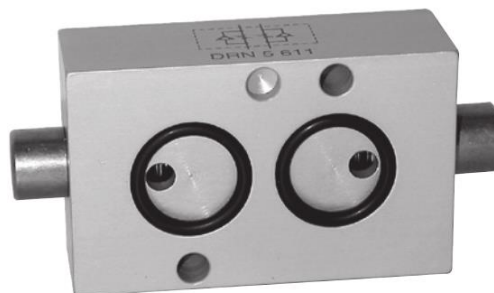


DRN 3 611

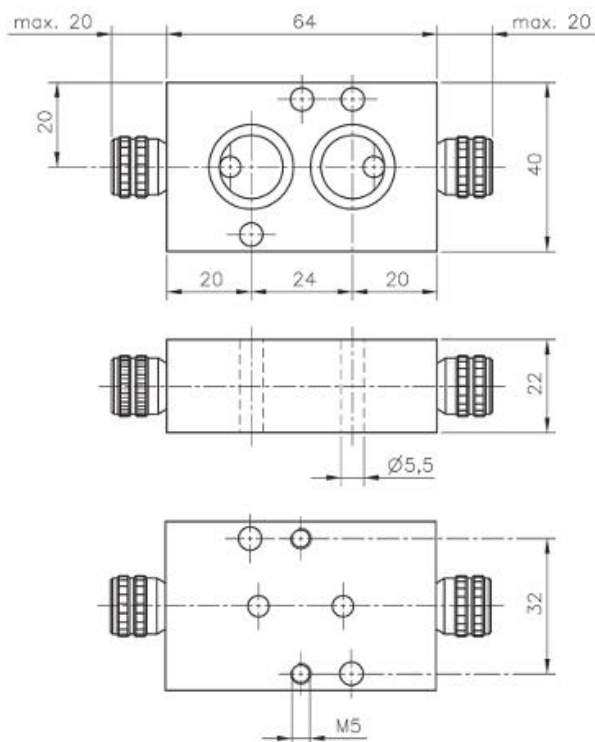
Type	FCE	Namur	Port size	Air flow	Oper.press.	Weight
DRN 3 601	3 way	1/4"	Ø 5mm	650 l/min	0,5 . 10 bar	0,18 kg
DRN 3 611	3 way	1/4"	Ø 5mm	650 l/min	0,5 . 10 bar	0,18 kg

SOLENOID VALVE Additional equipment

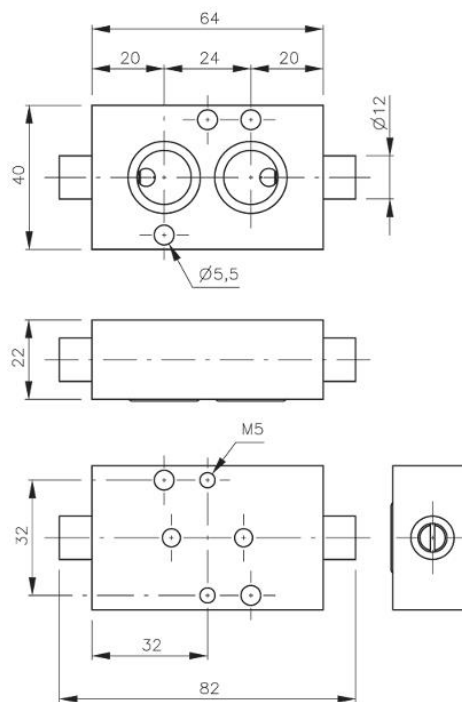
5/2 way



DRN 5 601, DRN 5 611



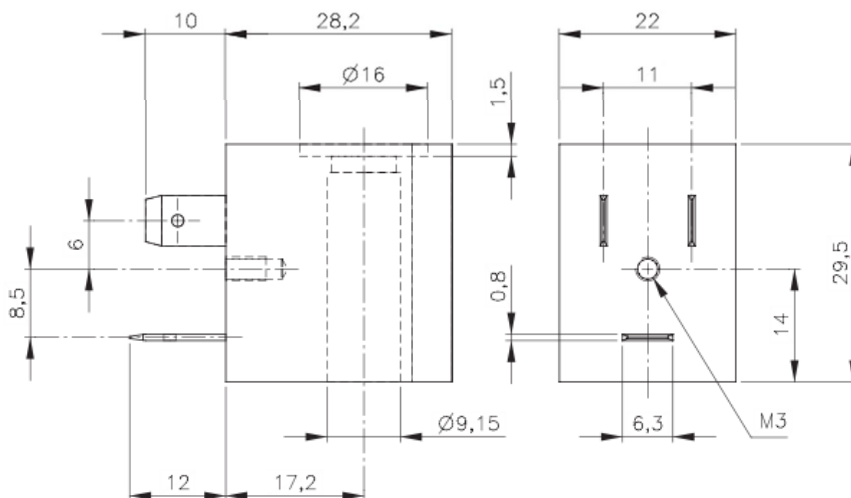
DRN 5 601



DRN 5 611

Type	FCE	Port size	Air flow	Pressure range	Weight
DRN 5 601	5 way	Ø 5mm	650 l/min	0,5 . 10 bar	0,18 kg
DRN 5 611	5 way	Ø 5mm	650 l/min	0,5 . 10 bar	0,18 kg

SOLENOID VALVE Additional equipment



Type	Standard voltage	Current	Power cons.
MA 22 24DC	24 V=	125 mA	3 W
MA 22 24 AC	24 V~	200 mA	5 VA
MA 22 230 AC	230 V~	22 mA	5 VA